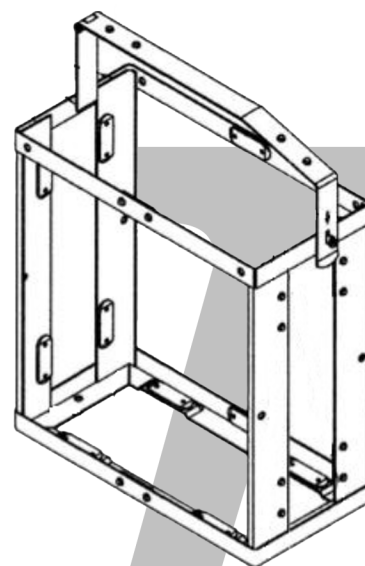


20Litre Metal Fuel Can Holder

Product Code: JCO020HV

- Solid & strong metal frame
- Easy to put in and take out the fuel can
- Plastic pads support Jerry Can against abraision and help to dampen vibration
- Can be secured with padlock
- Can be attached to both vertical and horizontal surfaces through depth screw places
- Colours are available on request according to RAL catalogue



Specification	Can Holder
Depth, mm	377
Width, mm	174
Height, mm	485
Net, kg	2.87
Specification	Box of 1
Pieces/box	1
Depth, mm	375
Width, mm	188
Height, mm	500
Net, kg	2.87
Gross, kg	3.15

